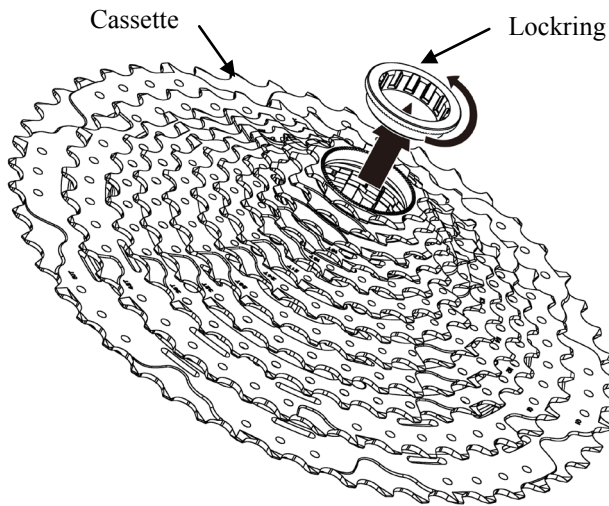


## Introduction

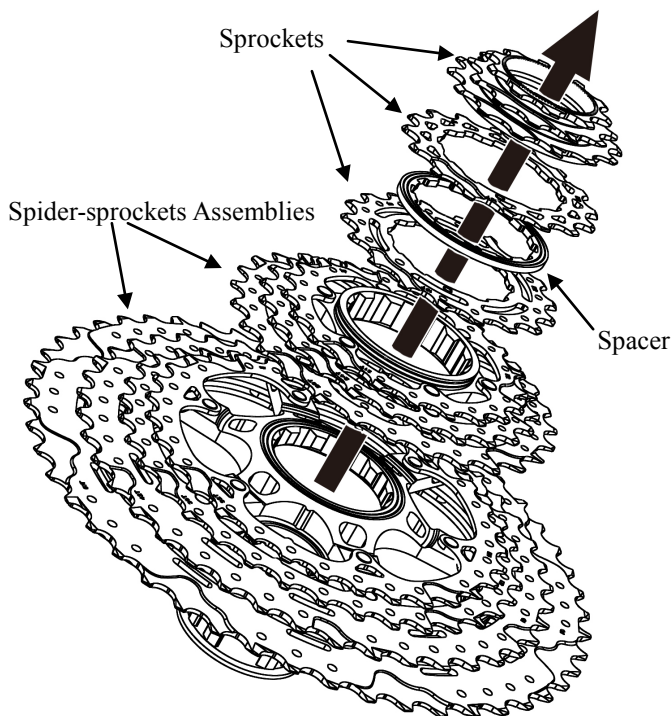
For best results, please follow instructions in this leaflet.  
Please contact your local dealer if any problems are experienced with the product.

## Installation

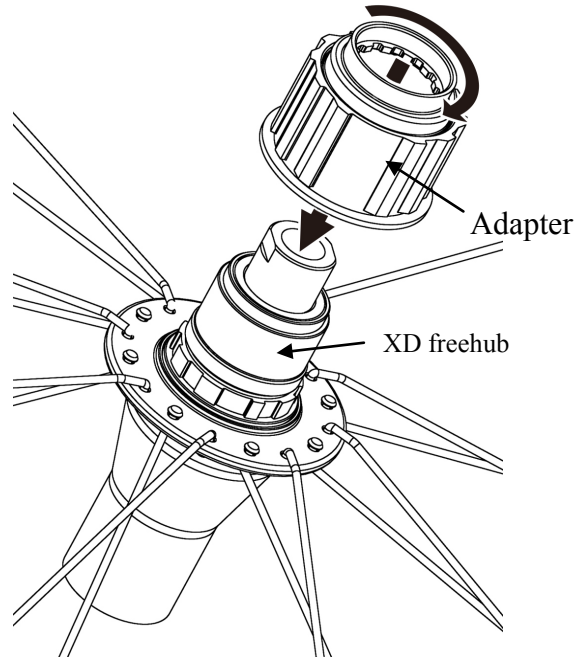
1. Unscrew the locking from the cassette counterclockwise.



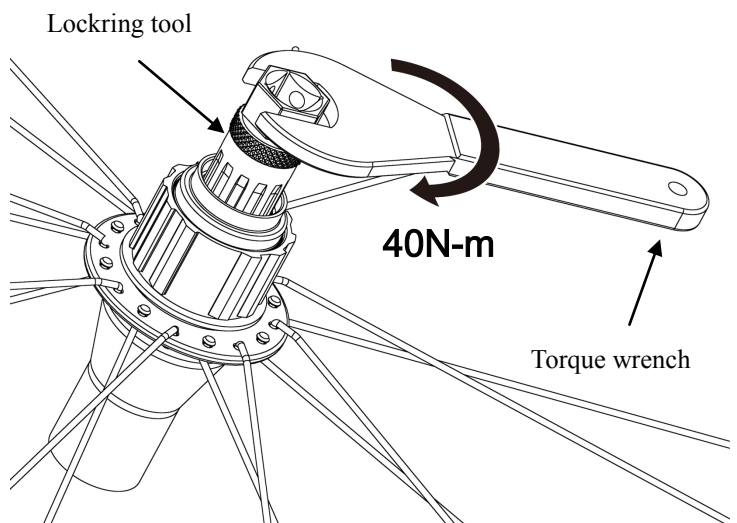
2. Remove all sprockets, spacers, and both spider assemblies from the adapter.



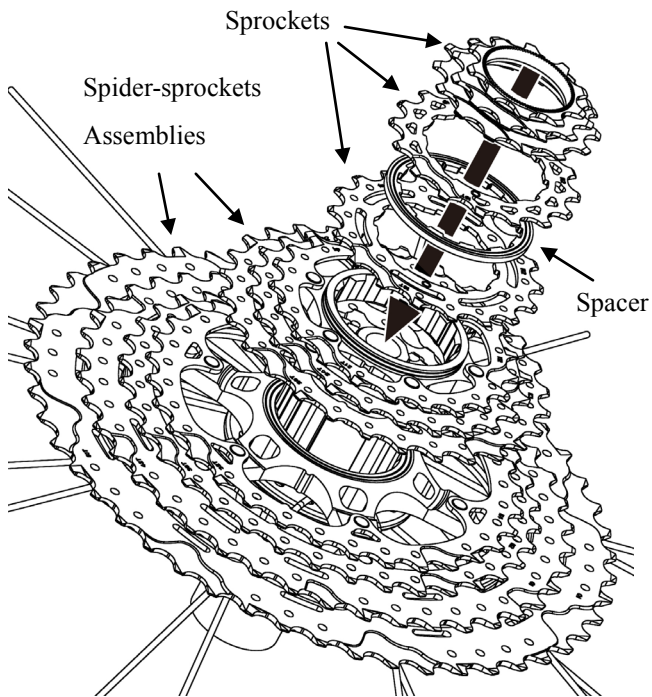
3. Put the adaptor on XD freehub and screw it clockwise.



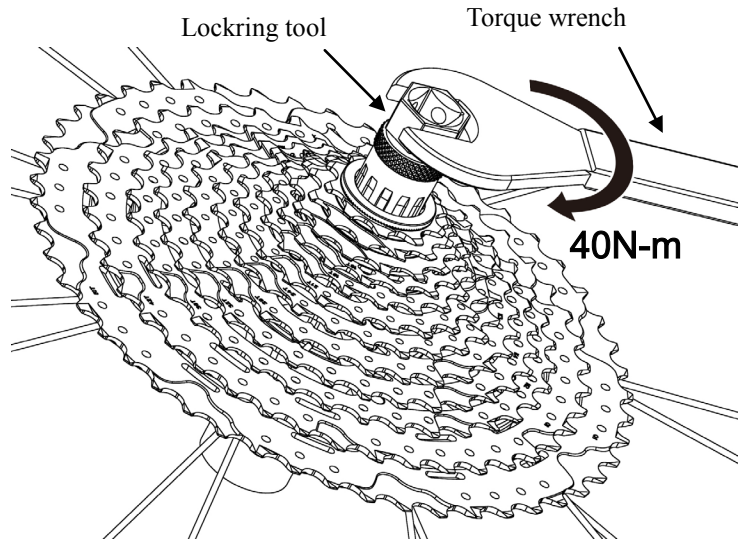
4. Tighten the adapter with the locking tool and torque wrench. The tightening torque is 40 N-m.



5. Install both spider assemblies, spacers, and sprockets on to the adapter.



7. Tighten the lockring with the lockring tool and torque wrench. The tightening torque is 40 N-m.



6. Screw the lockring clockwise.

